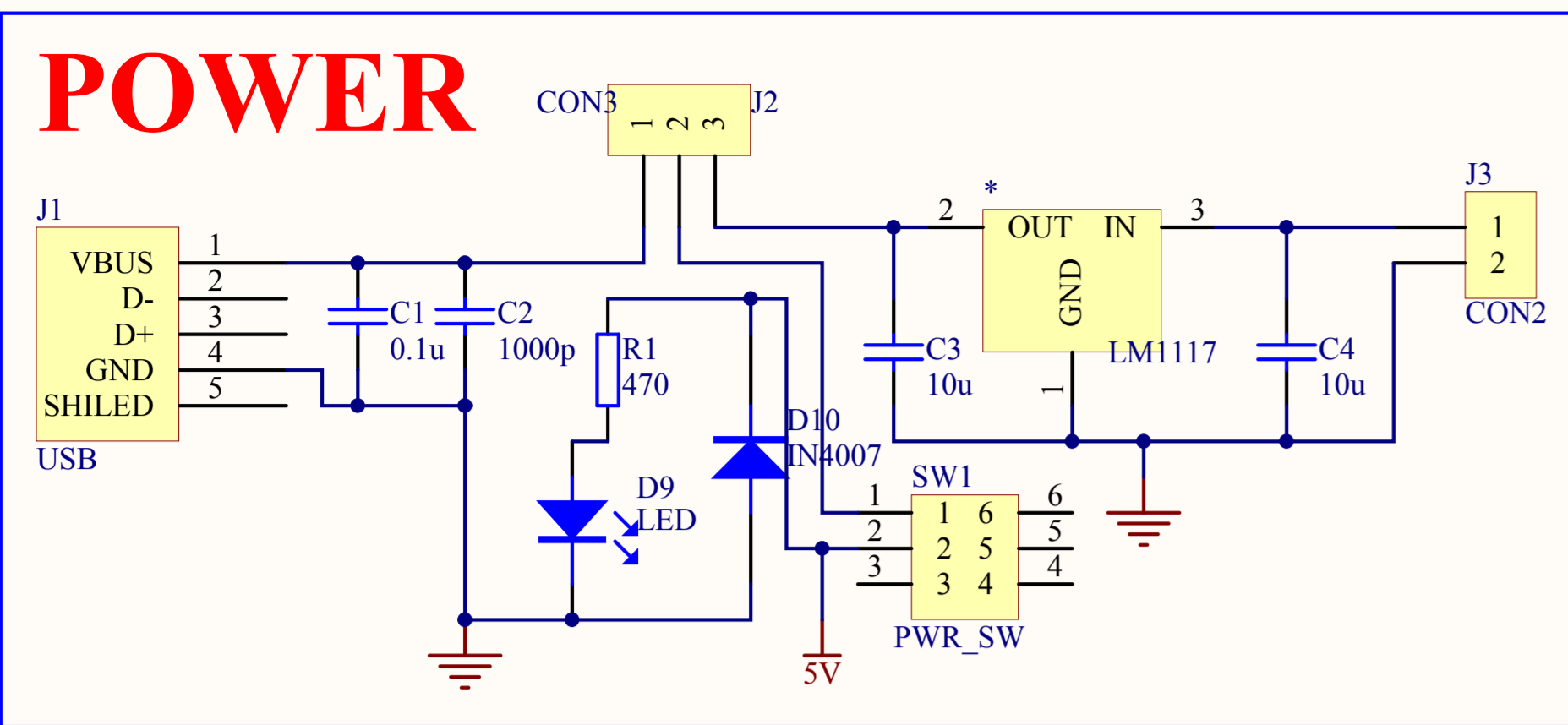
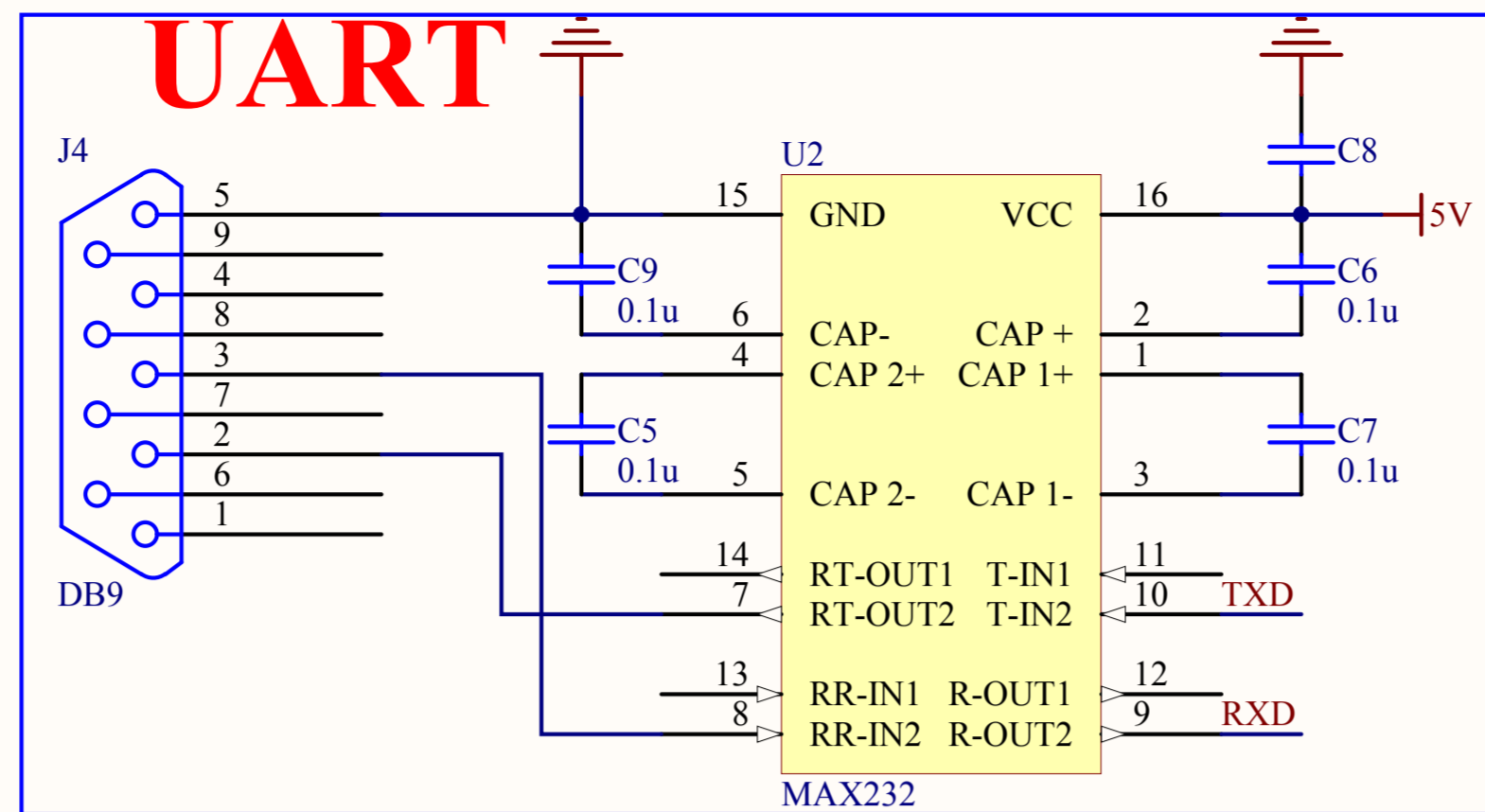


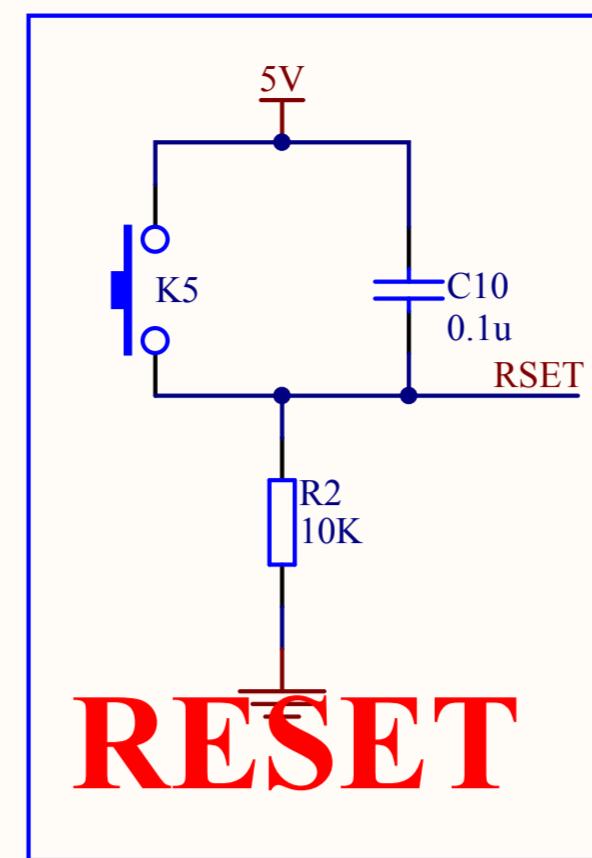
POWER



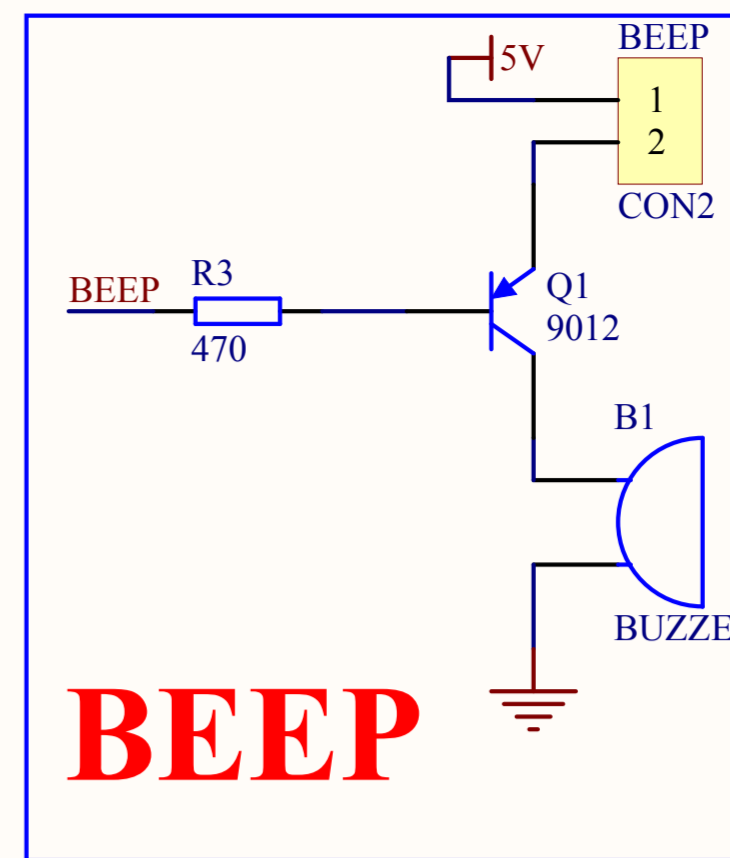
UART



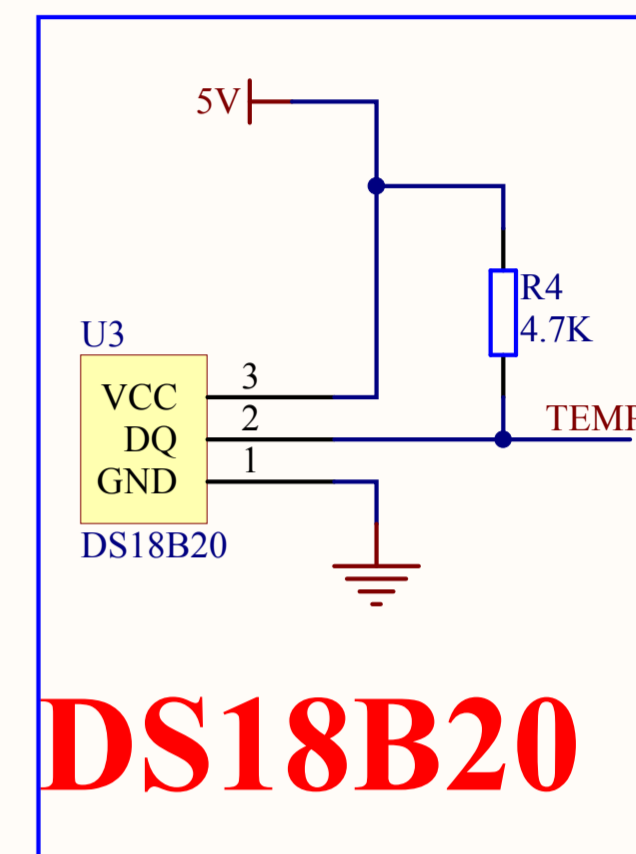
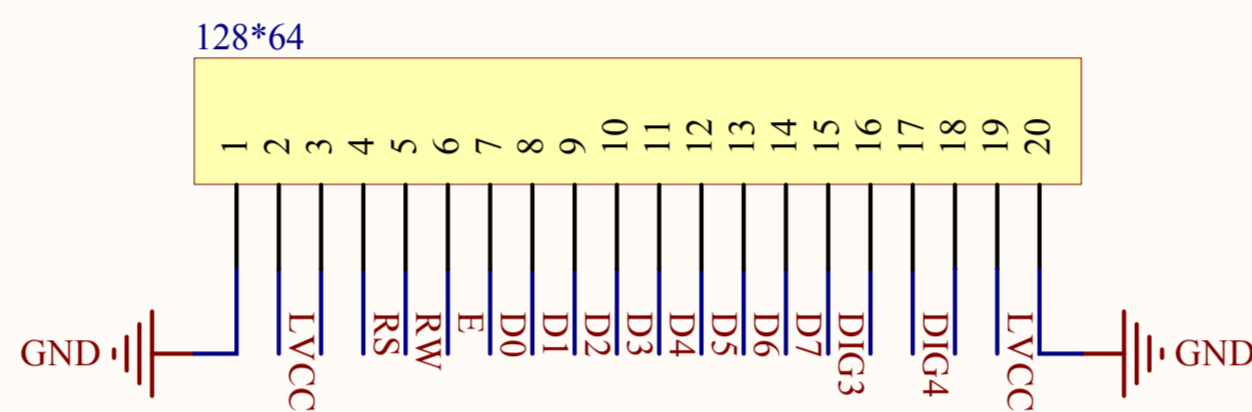
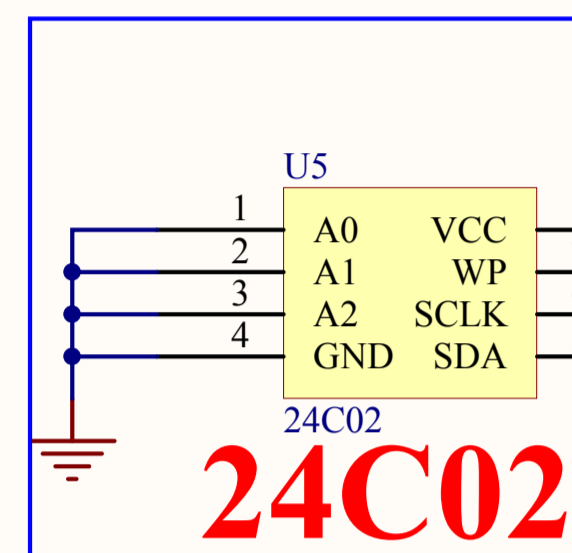
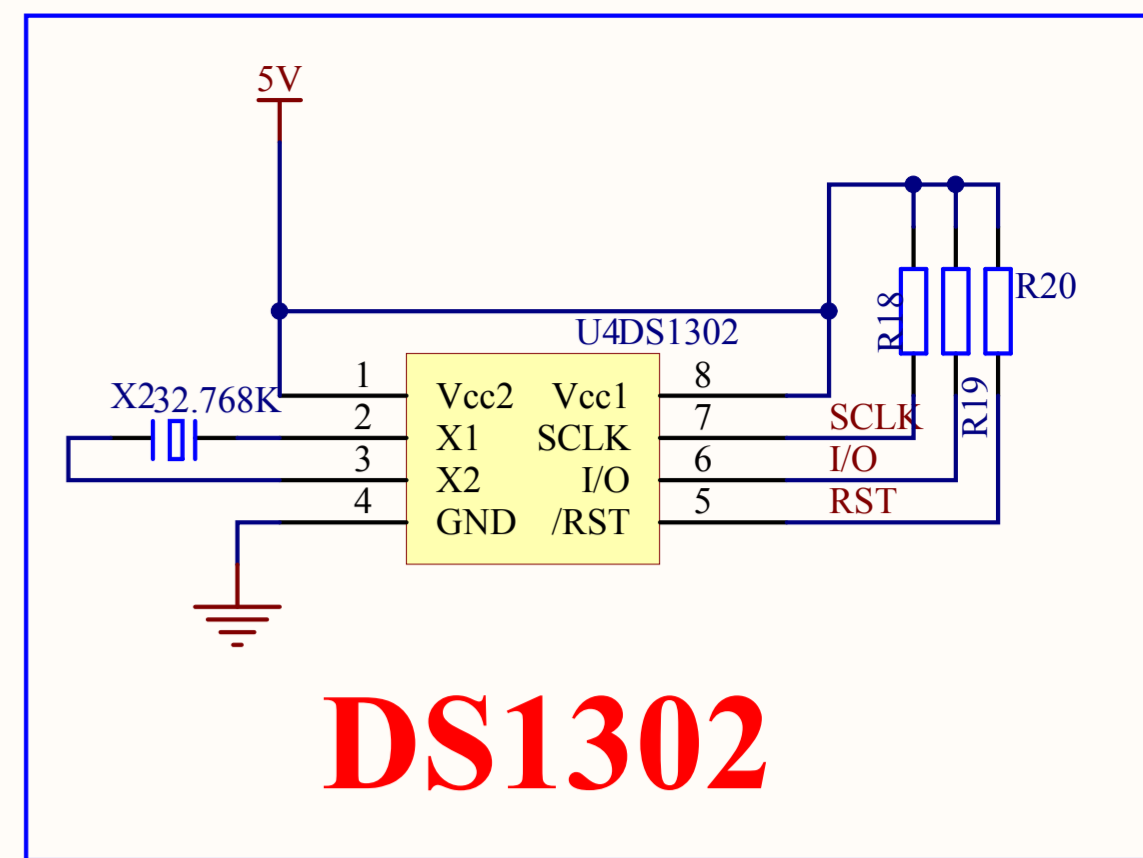
RESET



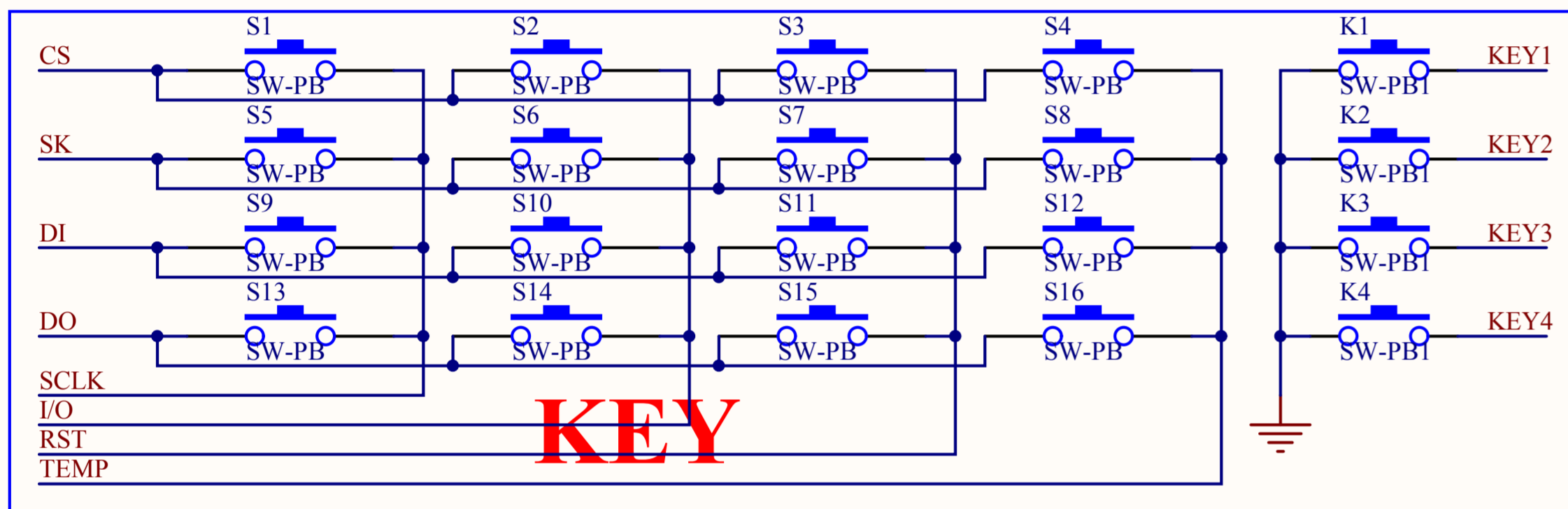
BEEP



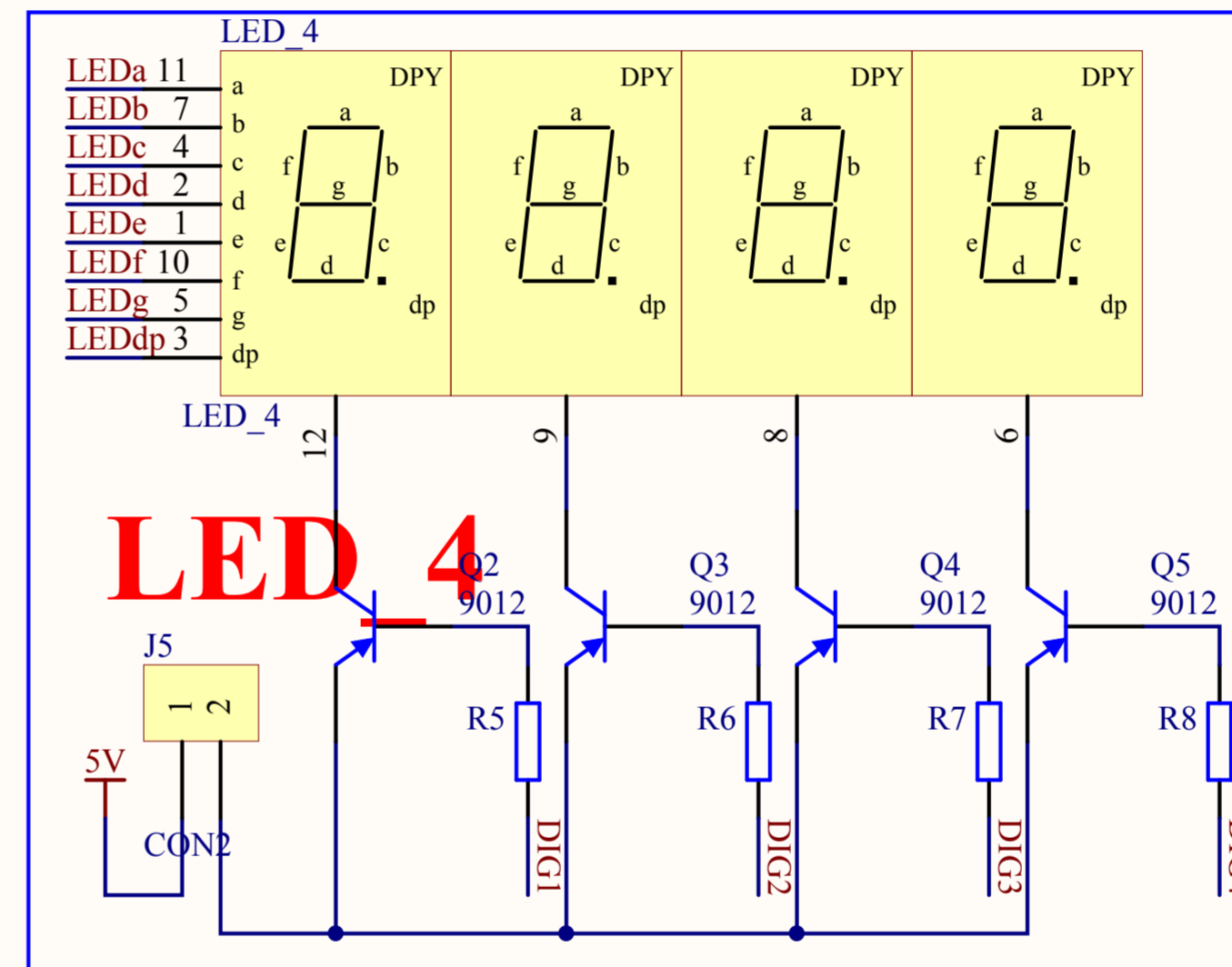
DS1302



DS18B20

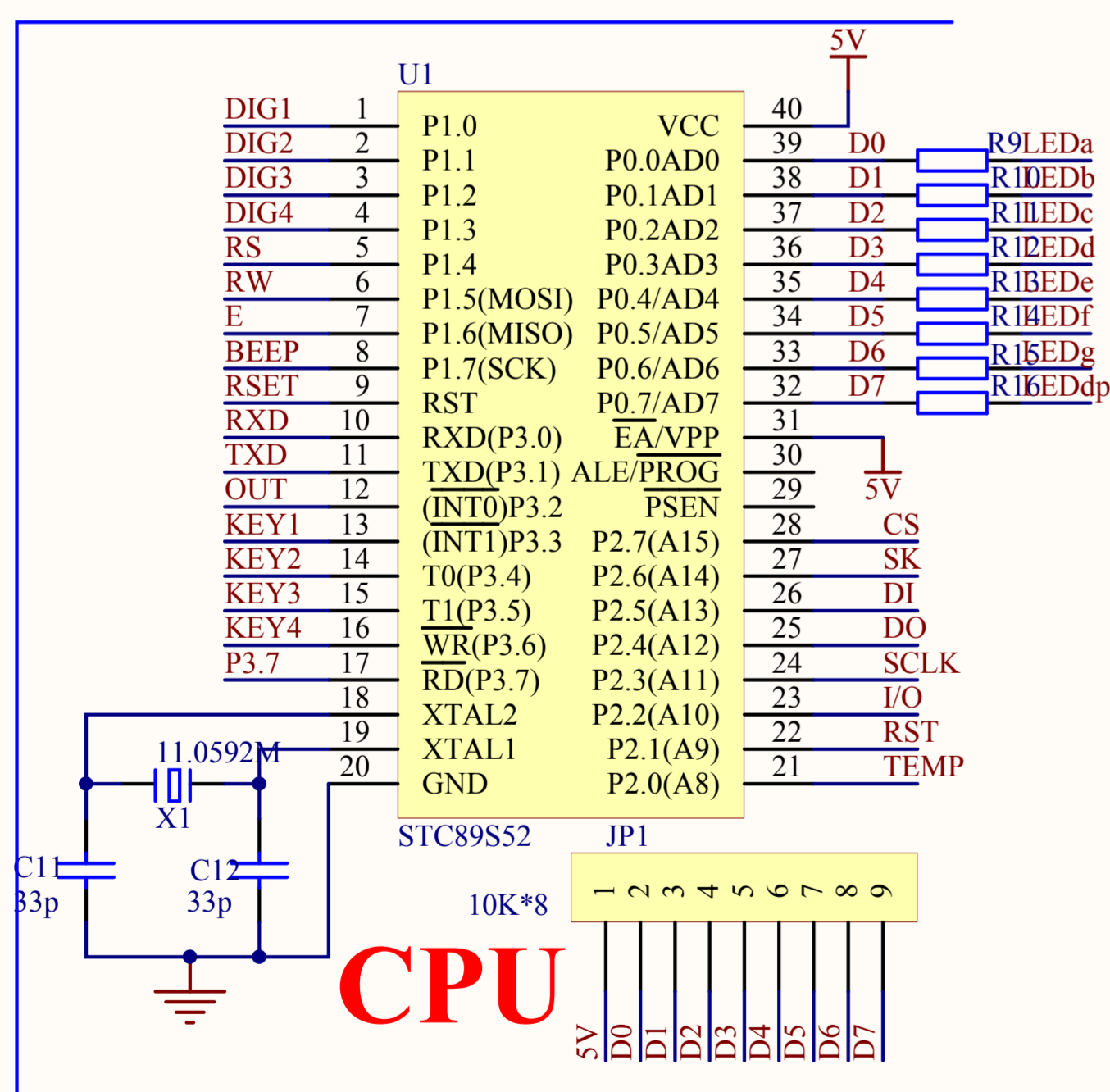
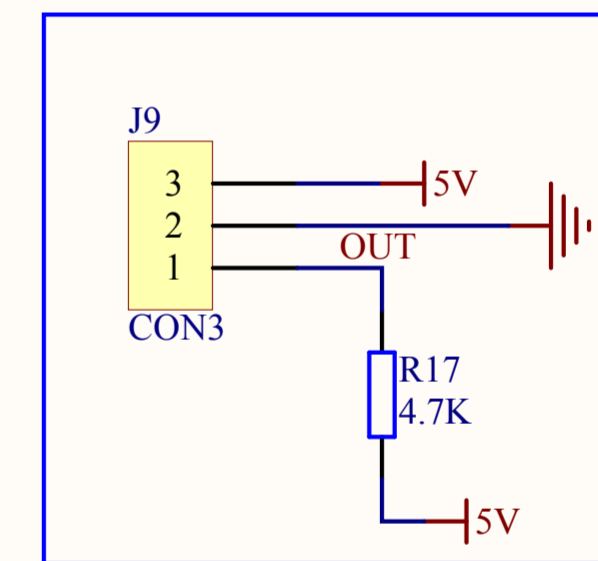


KEY

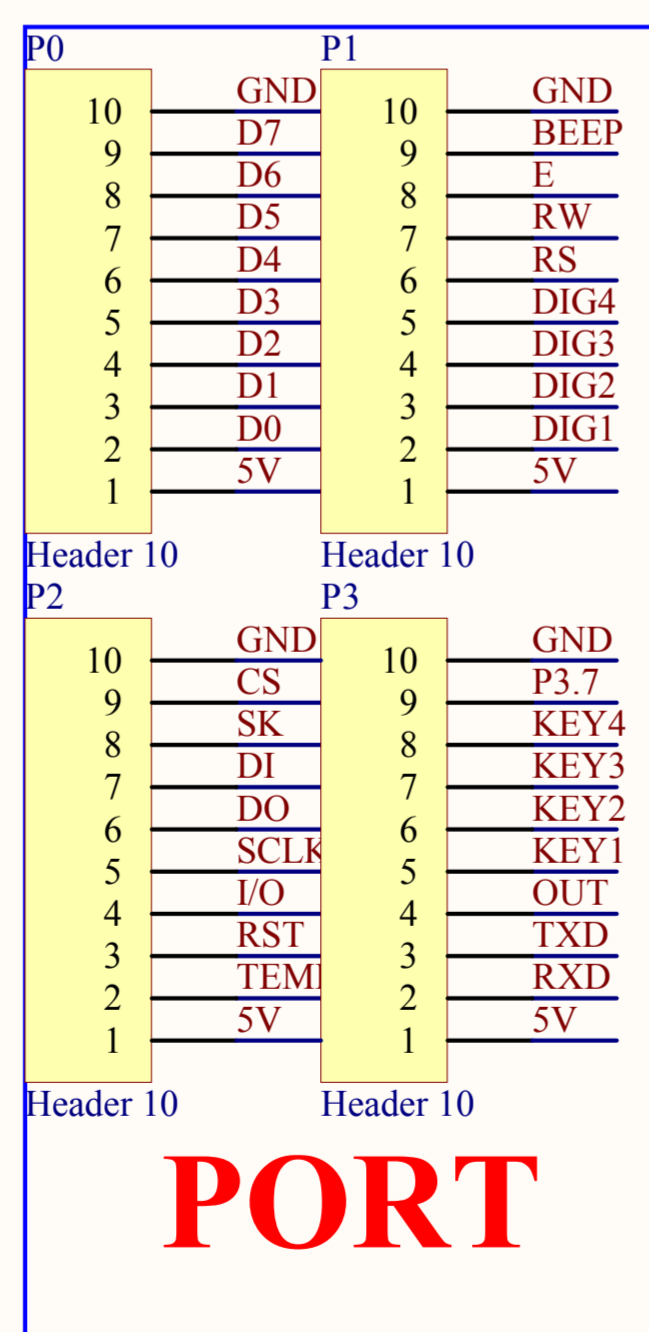


LED 4

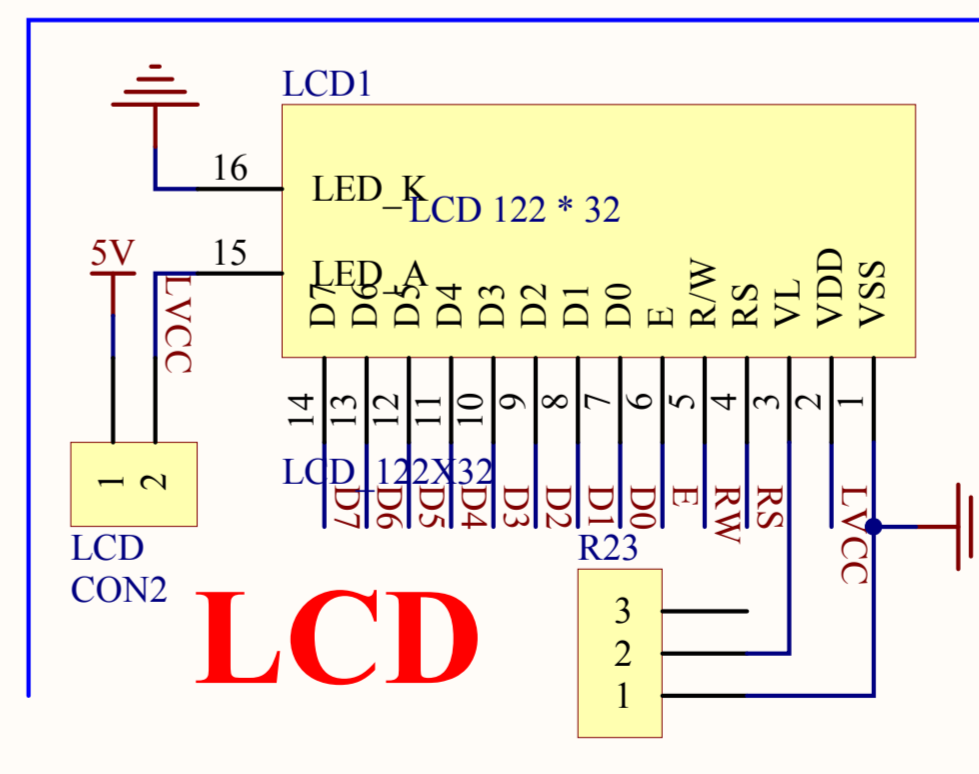
HW



CPU



PORT



LCD

Title		
Size	Number	Revision
B		
Date:	2009-6-30	Sheet of
File:	F:\ \.51.Sch	Drawn By: